

C. Dimensional Drawings

For illustration only. Contact Rayovac for complete specifications.

BR1225

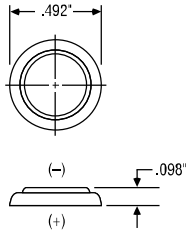


Figure 28

BR1225T2R

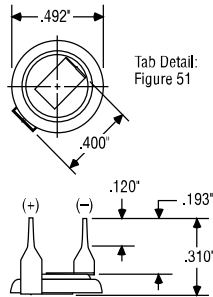


Figure 29

BR1225SR2

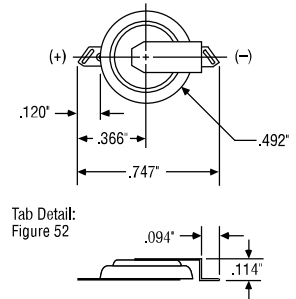


Figure 30

BR1225T2

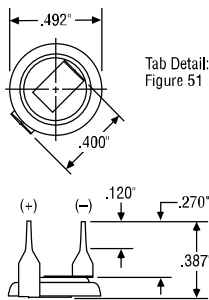


Figure 31

Conversion Chart

INCHES MILLIMETERS

0.020	0.51
0.065	1.65
0.094	2.39
0.098	2.49
0.110	2.79
0.114	2.90
0.115	2.92
0.120	3.05
0.125	3.18
0.130	3.30
0.150	3.81
0.193	4.90
0.220	5.59
0.270	6.86
0.310	7.87
0.366	9.30
0.387	9.90
0.400	10.16
0.492	12.50
0.712	18.08
0.747	18.97

BR1225T2V

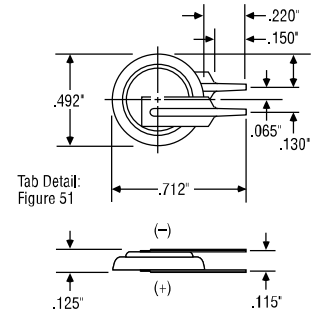


Figure 32

BR1225T3H

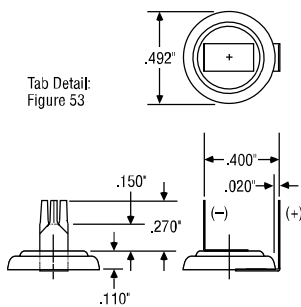
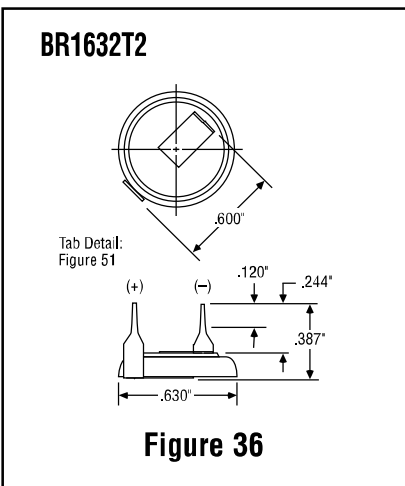
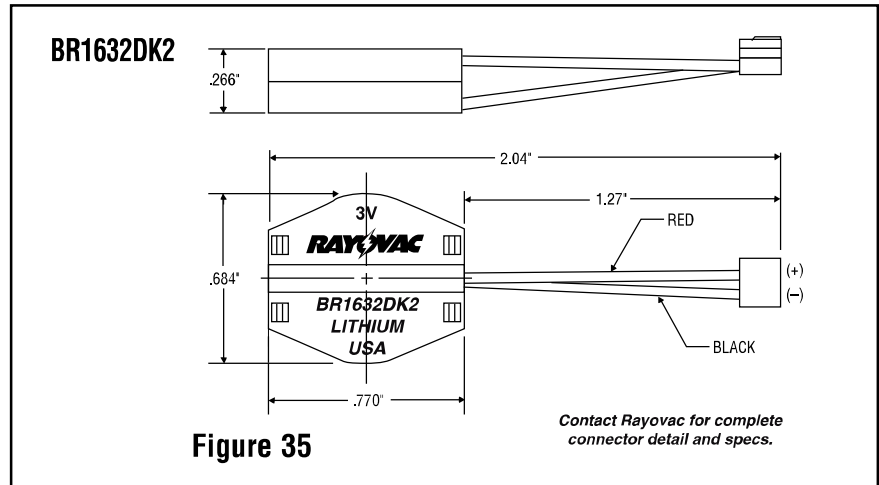
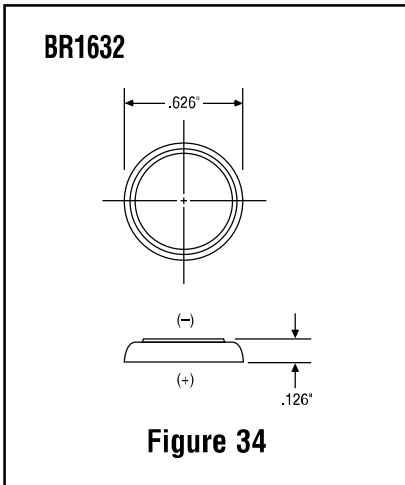


Figure 33

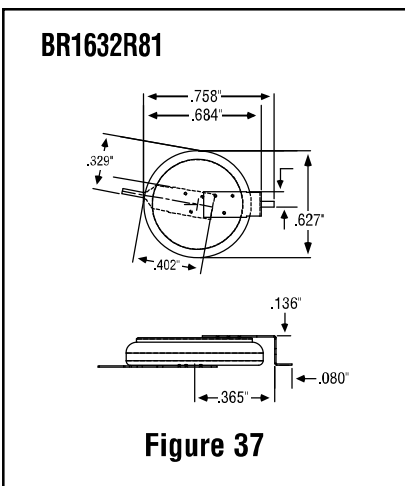
Please Note: Current Rayovac BR Lithium products are not compatible with Surface Mount Technology (SMT) soldering processes due to the extreme temperatures required for reflow. Batteries should be added as a secondary operation.

For illustration only. Contact Rayovac for complete specifications.



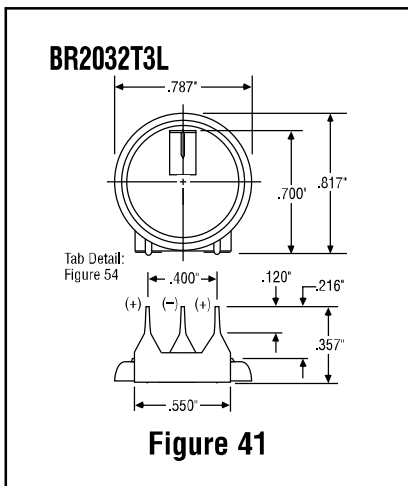
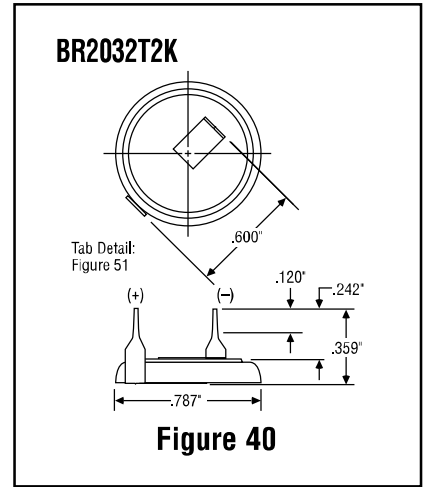
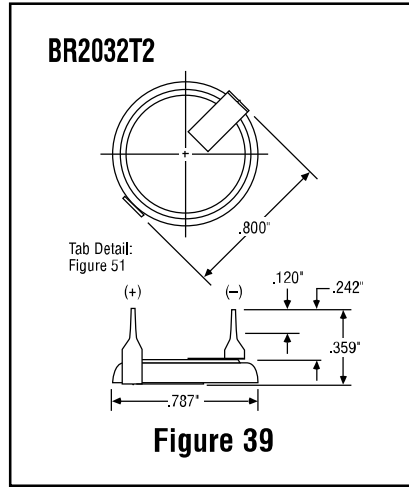
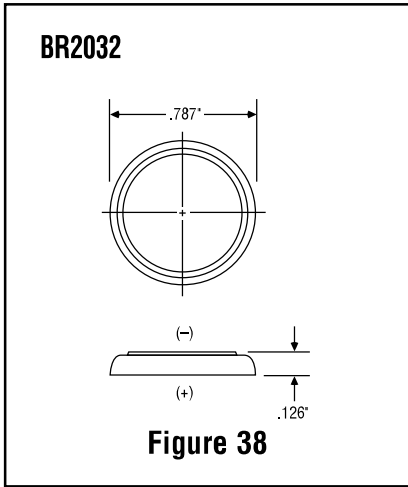
Conversion Chart

INCHES	MILLIMETERS
0.120	3.05
0.126	3.20
0.244	6.20
0.266	6.76
0.270	6.86
0.387	9.83
0.600	15.24
0.626	15.90
0.630	16.12
0.684	17.37
0.770	19.56
1.270	32.30
2.040	51.82



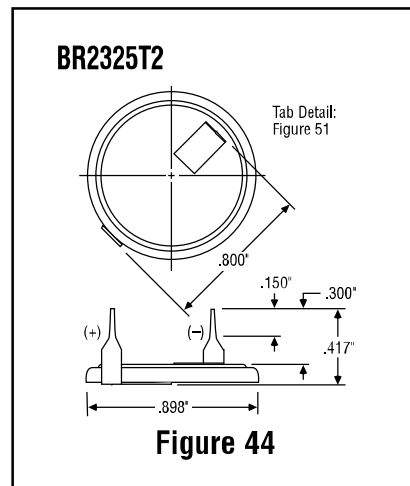
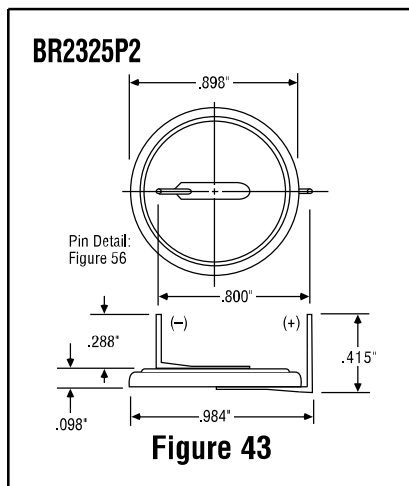
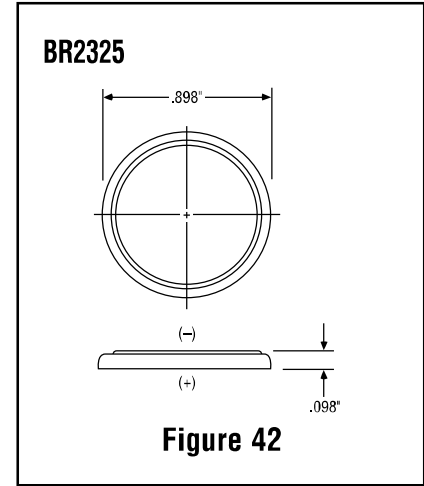
Please Note: Current Rayovac BR Lithium products are not compatible with Surface Mount Technology (SMT) soldering processes due to the extreme temperatures required for reflow. Batteries should be added as a secondary operation.

For illustration only. Contact Rayovac for complete specifications.



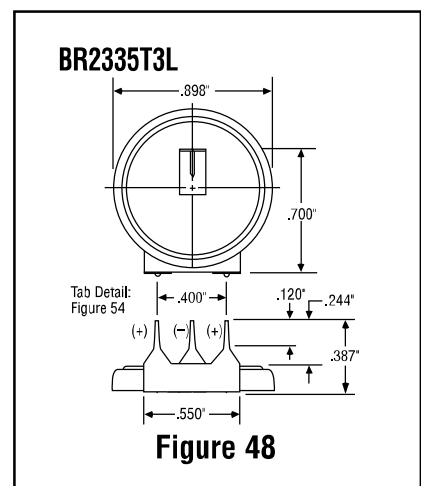
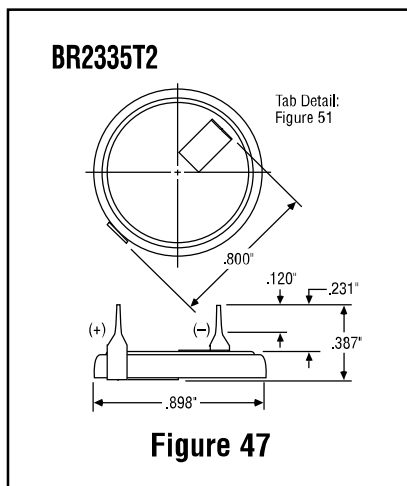
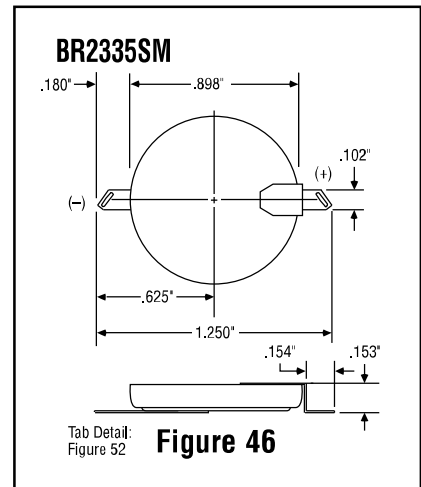
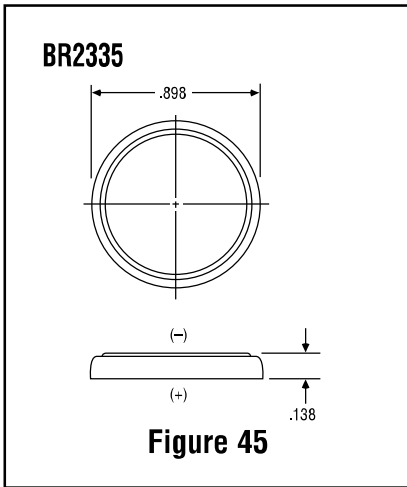
Conversion Chart

INCHES	MILLIMETERS	INCHES	MILLIMETERS
0.098	2.49	0.415	10.54
0.120	3.05	0.417	10.59
0.126	3.20	0.550	13.97
0.150	3.81	0.600	15.24
0.200	5.08	0.700	17.78
0.216	5.49	0.787	19.99
0.242	6.14	0.800	20.32
0.288	7.32	0.817	20.75
0.300	7.62	0.898	22.81
0.357	9.07	0.984	24.99
0.359	9.12	1.018	25.90
0.400	10.16		

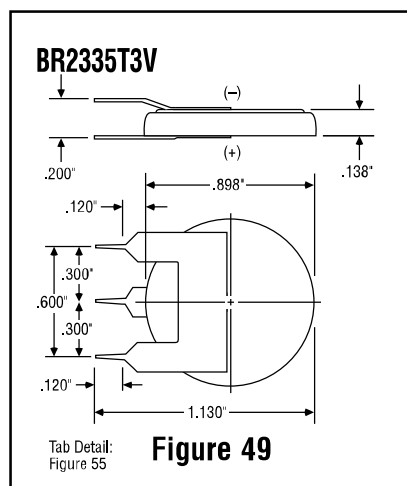


Please Note: Current Rayovac BR Lithium products are not compatible with Surface Mount Technology (SMT) soldering processes due to the extreme temperatures required for reflow. Batteries should be added as a secondary operation.

For illustration only. Contact Rayovac for complete specifications.



Conversion Chart	
INCHES	MILLIMETERS
0.098	2.49
0.102	2.59
0.120	3.05
0.138	3.51
0.153	3.89
0.154	3.91
0.180	4.57
0.200	5.08
0.231	5.91
0.244	6.20
0.270	6.86
0.300	7.62
0.387	9.83
0.400	10.16
0.550	13.97
0.600	15.24
0.625	15.88
0.700	17.78
0.800	20.32
0.898	22.81
0.928	23.57
1.130	28.70
1.250	31.80



Please Note: Current Rayovac BR Lithium products are not compatible with Surface Mount Technology (SMT) soldering processes due to the extreme temperatures required for reflow. Batteries should be added as a secondary operation.